

Data-Sheet-Variable Vacuum Capacitor

CKTB1000/5/150

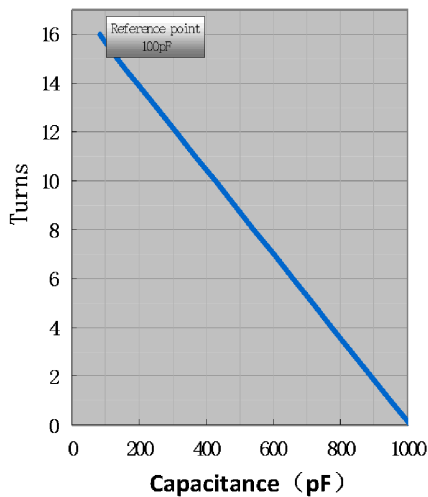


www.glvac.cn

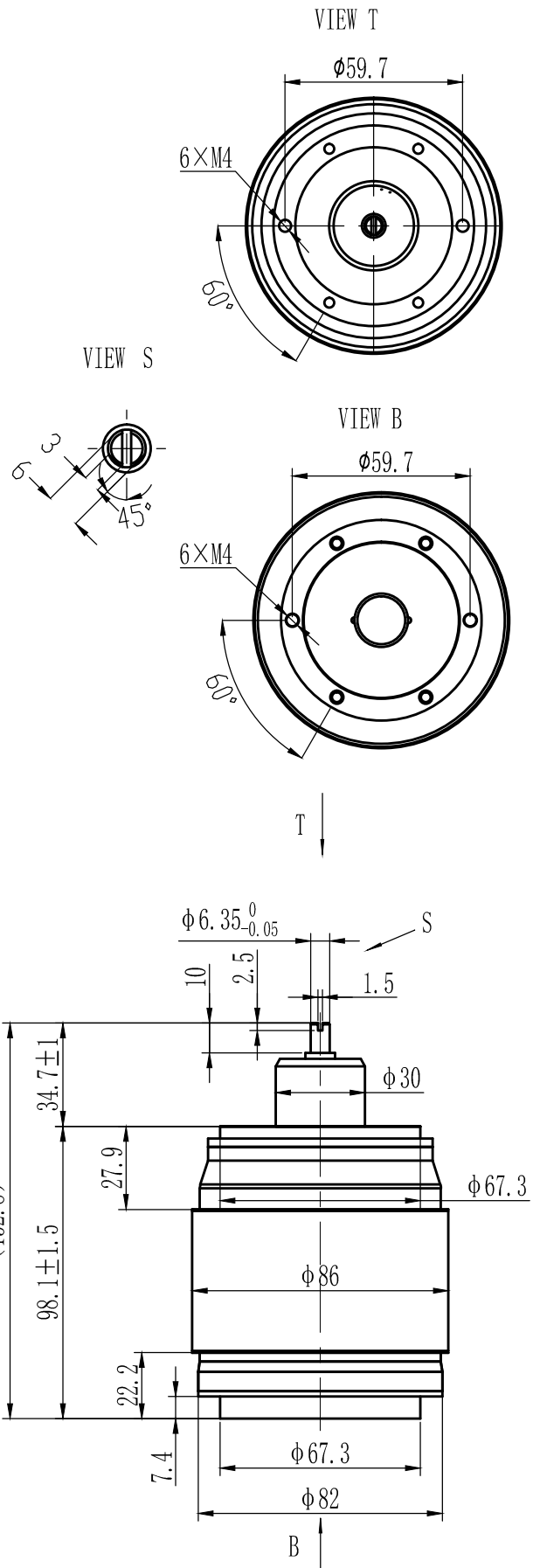
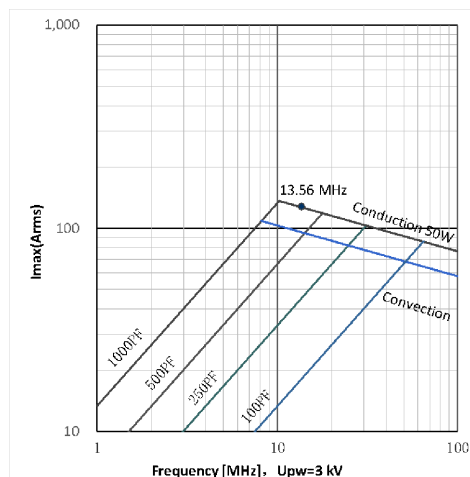
Specifications	
Capacity C_{max} (nominal)	1000pF
Capacity C_{min} (nominal)	100pF
Voltage (Peak Test U_{pt} /Peak Working U_{pw})	5KVp/3KVp
Capacity Tolerance (Linear Range)	10%
Max. Current I_{max} at 13.56MHz with	150Arms
Conduction Cooling	50W
Capacitance per turn	58.4/turn
Torque	$\leq 0.2 \text{ N} \cdot \text{m}$
Net Weight	1.4kg

Mechanical stop at <100 pF at ~ -1.7 turns

Mechanical stop at > 1000 pF at ~ 15.9 turns



I_{max} at 25 °C ambient and 125 °C surface temp for convection and conduction (50W) cooling



UNLESS OTHERWISE SPECIFIED:

$\leq 30: \pm 0.5$ $30 \sim 400: \pm 1.2$ $\geq 400: \pm 2.5$ $\angle \pm 1^\circ$

Address: ST28 Xihu Road, Kunshan, Jiangsu Province, China
TEL: +86 (512) 36872110

Web: www.glvac.com
FAX: +86 (512) 36872122

E-mail: e-sales@glvac.cn
Zip Code: 215333

Rev:00

Page: 1/1

Issue: 1-Apr-2023