

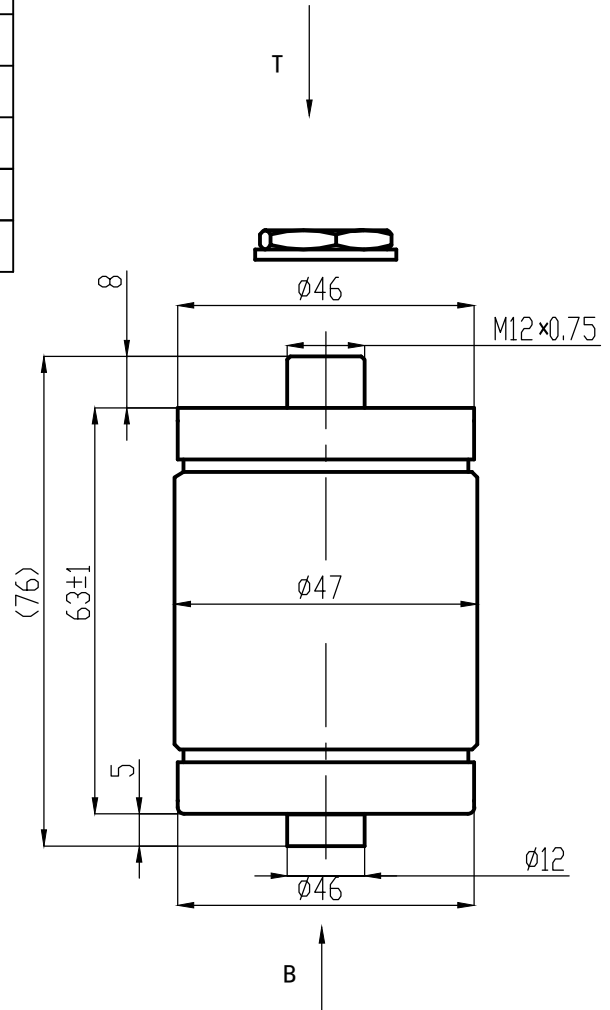
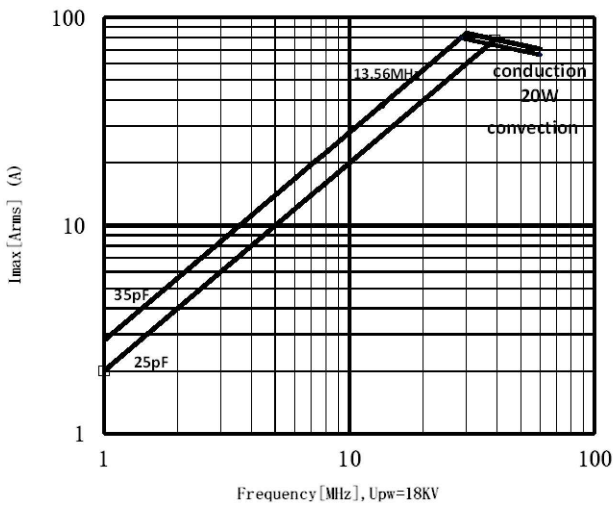
# Data-Sheet-Trimmer Vacuum Capacitor

## CKTBT30/18/37

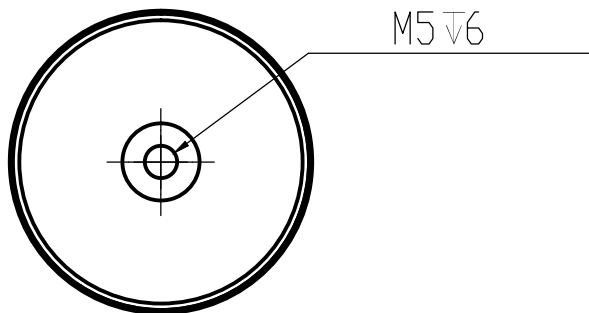


Specification	
Capacity $C_{max}$ (nominal)	35pF
Capacity $C_{min}$ (nominal)	25pF
Voltage (Peak Test $U_{pt}$ /Peak Working $U_{pw}$ )	30KVp/18KVp
Max. Current $I_{max}$ at 13.56MHz with	37Arms
Conduction Cooling	20W
Capacitance per turn	2.6pF
Net Weight	0.4kg

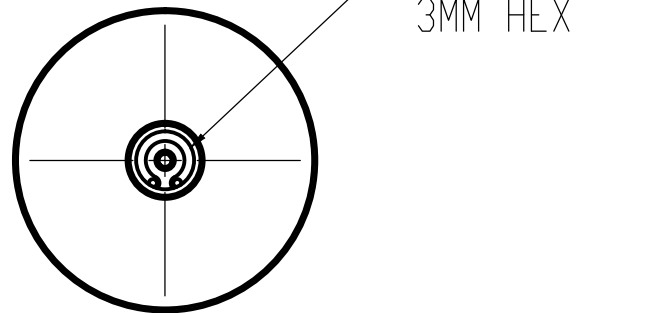
$I_{max}$  at 25 °C ambient and 125 °C surface for convection and conduction (20W) cooling



VIEW B



VIEW T



UNLESS OTHERWISE SPECIFIED:

$\leq 30: \pm 0.5$   $30 \sim 400: \pm 1.2$   $\geq 400: \pm 2.5$   $\angle \pm 1^\circ$

Address: ST28 Xihu Road, Kunshan, Jiangsu Province, China  
TEL: +86 (512) 36872110

Web: www.glvac.com  
FAX: +86 (512) 36872122

Rev:00 Page: 1/1 Issue: 31-Mar-2021

E-mail: e-sales@glvac.cn  
Zip Code: 215333