

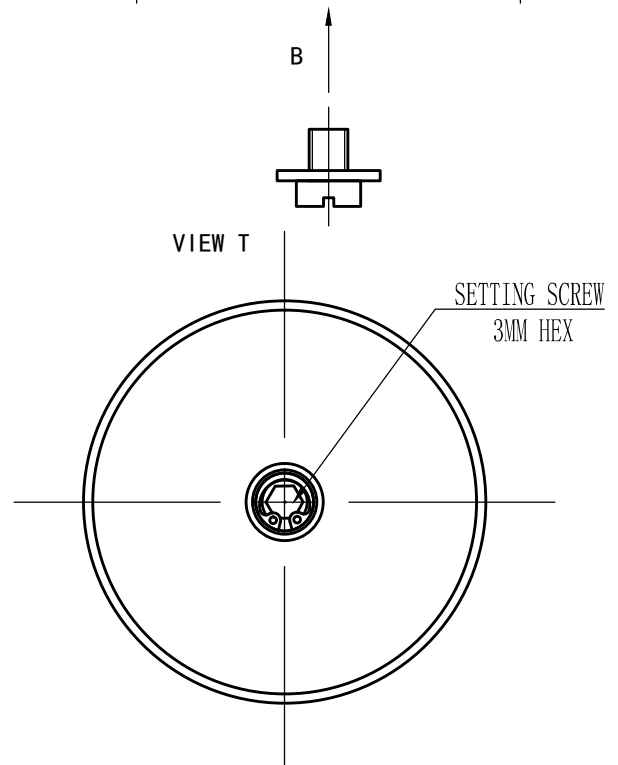
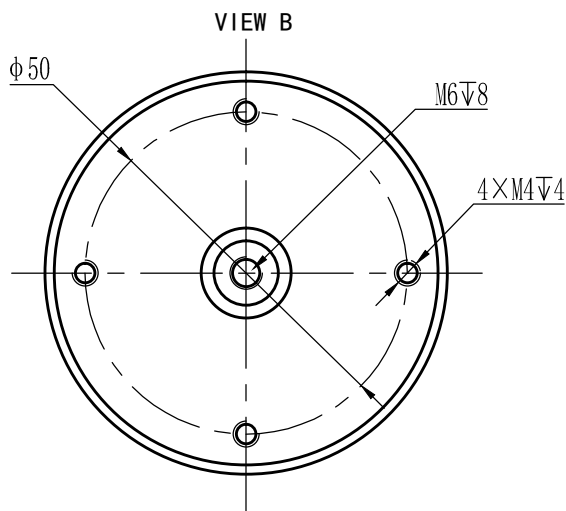
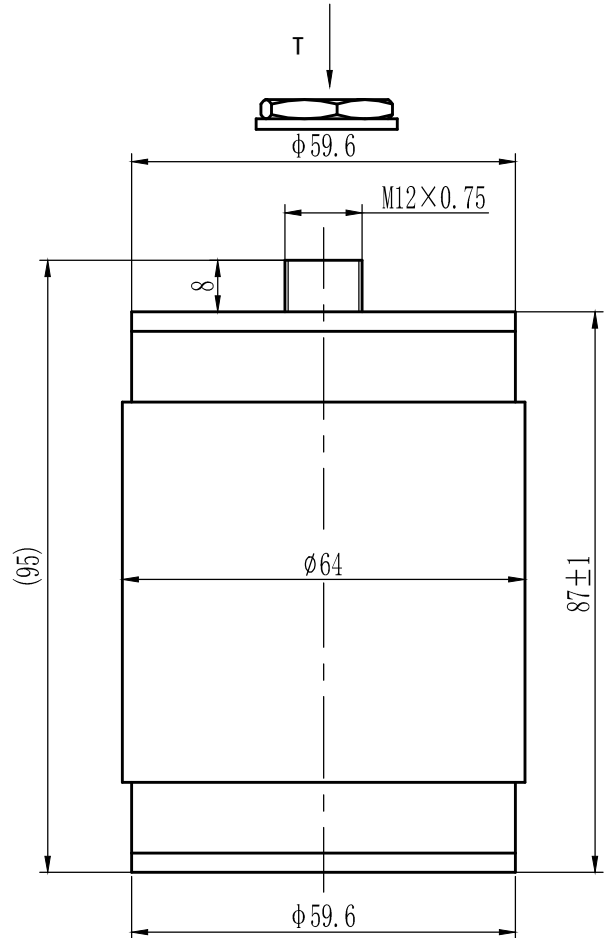
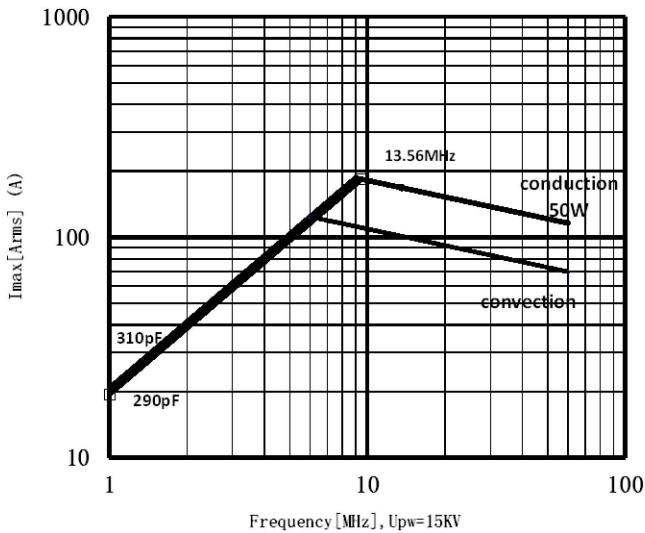
# Data-Sheet- Trimmer Vacuum Capacitor CKTBT300/15/168



www.glvac.com

Specifications	
Capacity $C_{max}$ (nominal)	310pF
Capacity $C_{min}$ (nominal)	290pF
Voltage (Peak Test $U_{pt}$ /Peak Working $U_{pw}$ )	25KVp/15KVp
Max. Current $I_{max}$ at 13.56MHz with	168Arms
Conduction Cooling	50W
Capacitance per turn	5.6pF/turn
Net Weight	0.75kg

$I_{max}$  at 25°C ambient and 125°C surface temp.  
for convection and conduction (50W) cooling



UNLESS OTHERWISE SPECIFIED:

≤30: ±0.5 30~400: ±1.2 ≥400: ±2.5 ∠: ±1°

Address: ST28 Xihu Road, Kunshan, Jiangsu Province, China  
TEL: +86 (512) 36872110

Rev: 00

Web: www.glvac.com  
FAX: +86 (512) 36872122

Page1/1

Issue: 26-Mar-2021

E-mail: e-sales@glvac.cn  
Zip Code: 215333