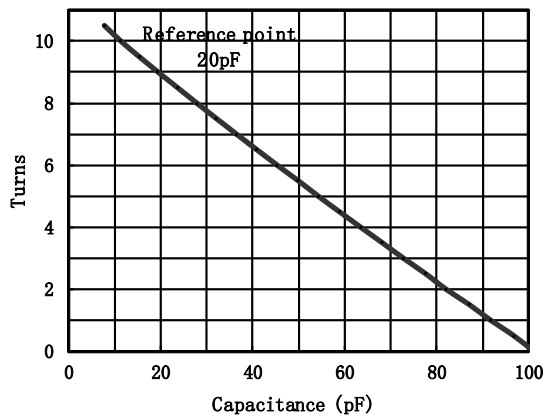
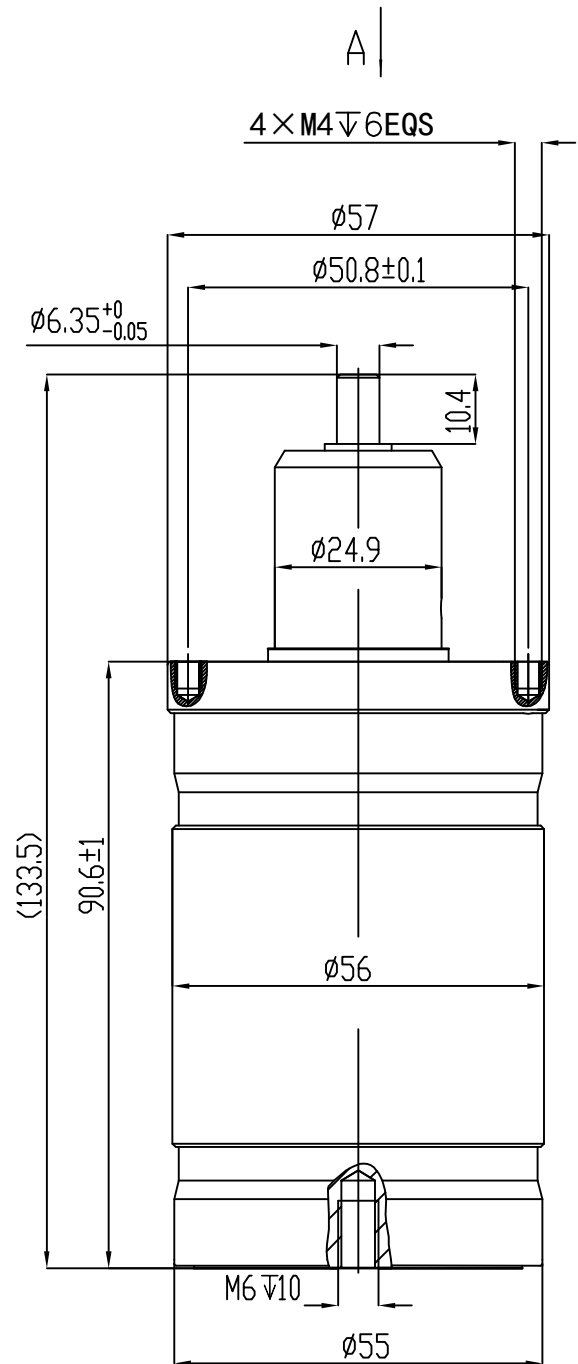


# Data-Sheet-Variable Vacuum Capacitor YL56-20-100

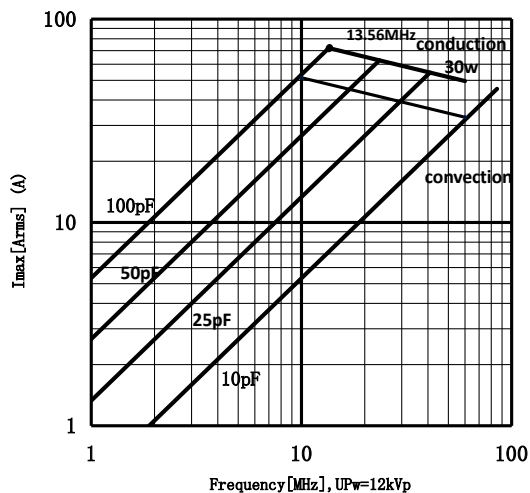


www.glvac.com

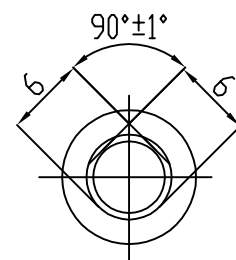
Specification	
Capacity $C_{max}$ (nominal)	100pF
Capacity $C_{min}$ (nominal)	10pF
Voltage (Peak Test $U_{pt}$ /Peak Working $U_{pw}$ )	20KVp/12KVp
Capacity Tolerance (Linear Range)	$\pm 5\%$
Max. Current $I_{max}$ at 13.56MHz with Conduction Cooling	72Arms 30W
Capacitance per turn	9pF
Torque	$\leq 0.18N \cdot m$
Net Weight	0.7kg
Turns	$10.5 \pm 0.5$



$I_{max}$  at 25 °C ambient and 125 °C surface for convection and conduction (30W) cooling



VIEW A



UNLESS OTHERWISE SPECIFIED:

$\leq 30: \pm 0.5$   $30 \sim 400: \pm 1.2$   $\geq 400: \pm 2.5$   $\angle \pm 1^\circ$

Address: ST28 Xihu Road, Kunshan, Jiangsu Province, China  
TEL: +86 (512) 36872110

Web: www.glvac.com  
FAX: +86 (512) 36872122

Rev: 00

Page: 1/1

Issue: 10-Jan-2023

E-mail: e-sales@glvac.cn  
Zip Code: 215333